

# TDM-P215WH5TAGF-D2

infos@ipo-sa.com

www.ipo-sa.com



+33(0)4 72 33 61 50

21.5" Military P-cap Monitor, 1500nits, Rackmount, Certificated with MIL-STD-461G, Front Side IP65, AG, Panel Mounting Kits, 24VDC Power Input



## Features

- ▶ 21.5" 1920\*1080 FHD LCD and P-cap Touch
- ▶ IP65 and Rackmount Shape Front Bezel
- ▶ 1500 nits LED backlight
- ▶ Mosmite Film with AR feature
- ▶ Anti-Glare
- ▶ HDMI by Metal Circular Connector
- ▶ USB fo Touch by Metal Circular Connector
- ▶ DC Power Input by MS3114E8 Circular Connector
- ▶ DC 24V Power Input with 90W power adapter
- ▶ -40~70°C Operating Temperature

### I/O Connect

External I/O Port	HDMI by Metal Circular Connector (with 1.5 meter external cable) USB(for Touch) by Metal Circular Connector (with 1.5 meter external cable) Power Input by MS3114E8 Connector
-------------------	---

### LCD

Max. Resolution	1920 x 1080
Contrast Ratio	1000 : 1
Max. Color	16.7M
Luminance	1500 nits
View Angle	89/89/89/89

### Power Requirement

Power Input	24VDC Power Input by MS3114E8 Connector
-------------	---

### Touch Screen

Type	P-cap USB
------	-----------

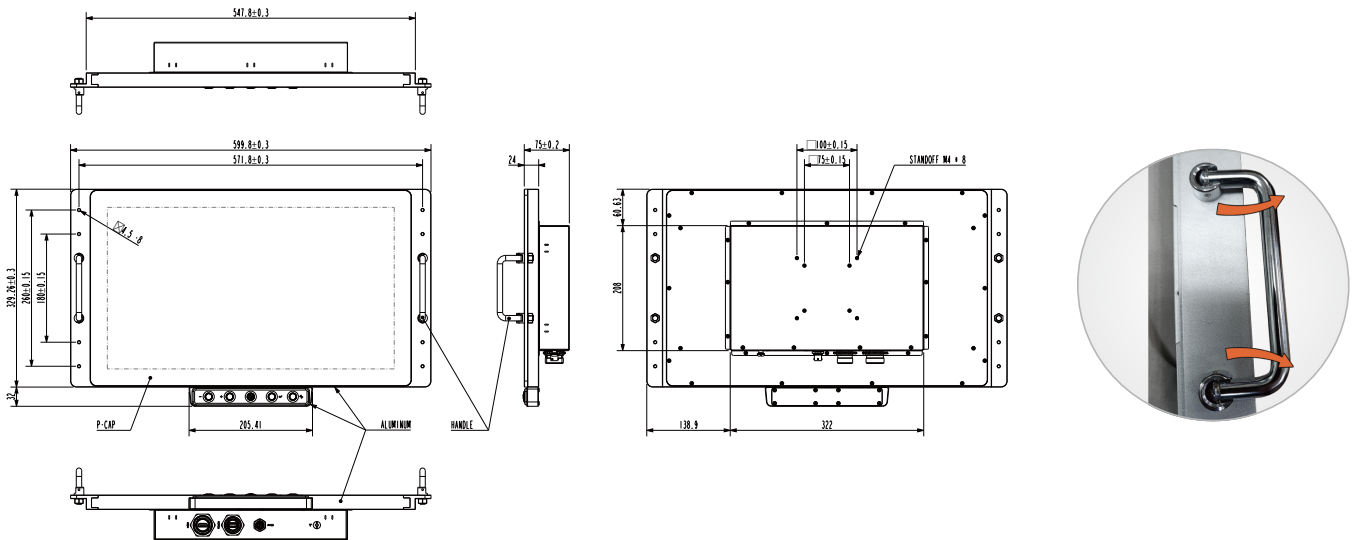
### Environment

Operating Temp	-40~70 °C · IEC-60068-2-1/2/14
Storage Temp	-40~70 °C
Humidity	10~90% @40 °C, non-condensing
EMC	MIL-STD-461G Certification FCC / CE Class A Certification
Vibration	MIL-STD-810H, Method 514.8, Procedure I, 5~500Hz (Certification)
Shock	MIL-STD-810H, Method 516.8, Procedure I, 20g 11ms (Certification)

### Mechanical

Construction	Aluminum Bezel and Metal case
IP Rating	IP65 Front Side
Mounting	Wall Mount , VESA Mount
Dimension	TBC

## Dimension & I/O Connector



### Ordering Information

TDM-P215WH5TAGF-D2

21.5" Military P-cap Monitor, 1500nits, Rackmount, Certificated with MIL-STD-461G, Front Side IP65, AG, Panel Mounting Kits, 24VDC Power Input